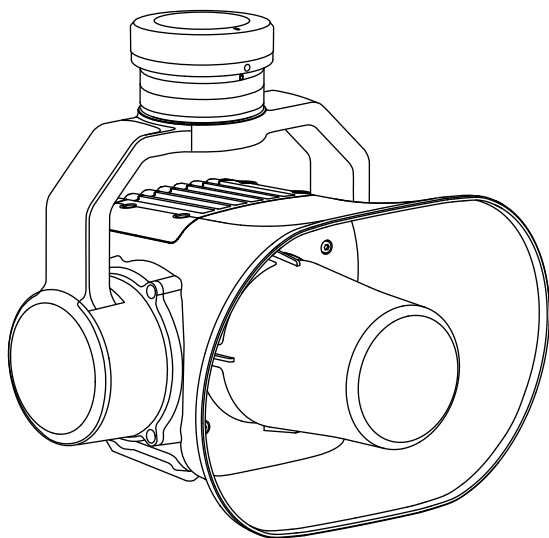


dji ZENMUSE V1

User Manual

v1.2 2025.06





This document is copyrighted by DJI with all rights reserved. Unless otherwise authorized by DJI, you are not eligible to use or allow others to use the document or any part of the document by reproducing, transferring or selling the document. Only refer to this document and the content thereof as instructions to operate DJI products. The document should not be used for other purposes.

In the event of divergence among different versions, the English version shall prevail.

Searching for Keywords

Search for keywords such as “battery” and “install” to find a topic. If you are using Adobe Acrobat Reader to read this document, press Ctrl+F on Windows or Command+F on Mac to begin a search.

Navigating to a Topic

View a complete list of topics in the table of contents. Click on a topic to navigate to that section.

Printing this Document

This document supports high resolution printing.

Using this Manual

Legend

⚠ Important

💡 Hints and Tips

📖 Reference

Video Tutorials

Go to the address below or scan the QR code to watch the tutorial videos, which demonstrate how to use the product safely:



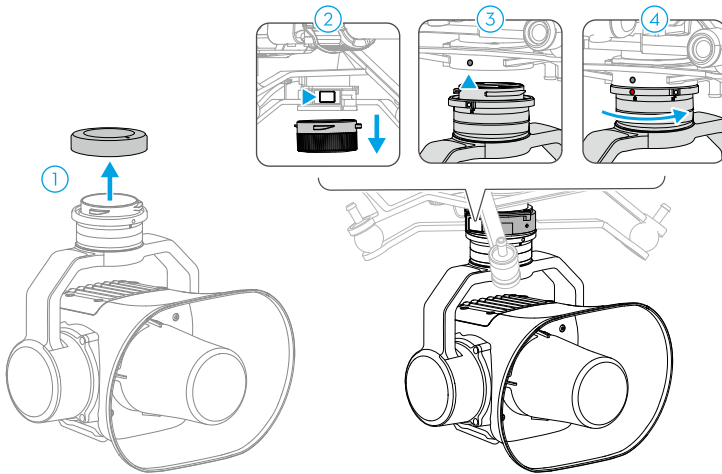
<https://enterprise.dji.com/zenmuse-v1/video>

Contents

Using this Manual	3
Legend	3
Video Tutorials	3
1 Usage	5
1.1 Installation	5
1.2 Activation	5
1.3 Operation	5
1.4 Log Export	7
2 Appendix	8
2.1 Firmware Update	8
2.2 Specifications	8

1 Usage

1.1 Installation



- ⚠ • Detach the payload from the aircraft during transportation or storage. Otherwise, the service life of the gimbal damper maybe shortened or they may even be damaged.
- To remove the payload, press the release button on the aircraft and rotating the payload.

1.2 Activation

The payload requires activation via DJI PILOT™ 2 App before first use. Mount the payload on the aircraft, then power on the aircraft and remote controller and follow the on-screen instructions to activate. An internet connection is required for activation.

1.3 Operation

After powering on the aircraft, launch DJI Pilot 2 App, the payload name will be displayed on the homepage. Tap **Enter Camera View**. The following is an example of use.



1. PSDK Control Button
Tap to enter the control menu.
2. Control Switch Button
If both the spotlight and speaker are installed, tap to switch control.
3. Virtual Stick
Tap to enter the payload angle adjustment interface.
4. Record & Broadcast
Tap to enter the interface, you can choose to play recordings and record audio. Tap to import audio.
5. TTS
Text-to-speech. Supported languages vary when used with different aircraft. Refer to the app UI for details.
6. Multi-Gimbal Control
Tap to enable multi-gimbal control. When the aircraft is equipped with three payloads, any combination of control is supported. After enabling multi-gimbal control, you can simultaneously control multiple payload angles using the left and right dials on the remote controller. Only the tilt angle can be controlled via the virtual stick when multi-gimbal control is disabled.
7. Settings
Tap > PSDK to set the speaker's tone, speed, and intonation of TTS, and to check the firmware version.

Tap **⋮** > **🔊** > **Remote Controller Custom Button** to set shortcuts to start/stop recording/play audio.



- The speaker only supports AAC, MP3, and WAV audio files to broadcast, and each file must be within 10 MB.
 - When used with the Matrice 400, real-time broadcasting is supported.
-



- DO NOT use the speaker at close range or in an urban area where noise-sensitive structures are concentrated, as the loudness could lead to accidents or injuries.
 - It is not recommended to play single-frequency sounds or sweep sounds to avoid irreversible damage to the speaker.
 - The performance of the aircraft's propulsion or vision system will be affected after the payload is mounted. Fly with caution.
 - When the speaker is operating at full volume, it may cause camera shake. You can reduce the volume or the speaker angle appropriately to minimize the impact.
-

1.4 Log Export

If any abnormalities occur during use, launch DJI Pilot 2 App and access **Health Management System (HMS)** > **Log Management** to export the aircraft logs for further analysis.

2 Appendix

2.1 Firmware Update

If new firmware is available, the payload will be updated during the aircraft firmware update.

2.2 Specifications

Visit the following website for specifications.

<https://enterprise.dji.com/zenmuse-v1/specs>

WE ARE HERE FOR YOU



Contact

DJI SUPPORT

The content is subject to change without prior notice.

Download the latest version from



<https://enterprise.dji.com/zenmuse-v1/downloads>

If you have any questions about this document, contact DJI by sending a message to DocSupport@dji.com.

DJI and ZENMUSE are trademarks of DJI.
Copyright © 2025 DJI All Rights Reserved.